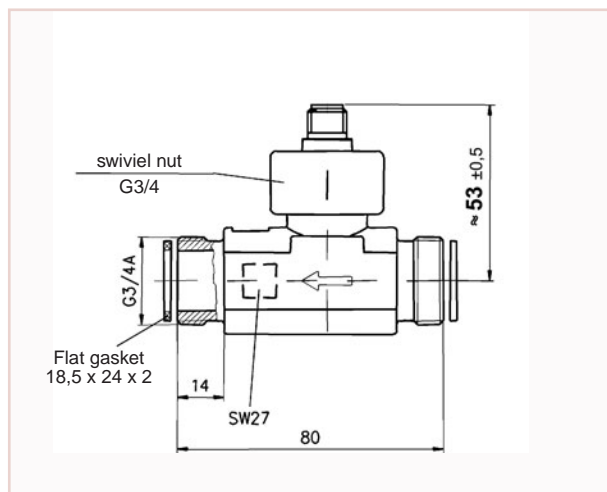


# FLOW

## Axial turbine flowmeter for liquids Type FVA915VTH



- ▶ For measuring the volume flow rate or for dosing tasks with small flow rates.
- ▶ Extraordinary compact design.
- ▶ Wide, usable measuring range.
- ▶ Various options for operation:  
Cooling water flow, medical technology, plastics industry, solar systems, baker's equipment, machine tools, catering equipment, photographic laboratory equipment, dispensers, dosing equipment, cooling equipment, heating applications, calorimetry.



### Types:

incl. connecting cable, 6m long with ALMEMO® connector

Turbine body made of plastic

**Order No. FVA915VTHK**

Turbine body made of brass

**Order No. FVA915VTHM**

### Technical Data:

Nominal diameter	DN 15
Measuring range	2 to 40 l / min continuous load max. 20 l/min
Measuring accuracy	±1% of finale value
Reproducibility :	± 0,2 %
Signal output	from 0.3 l/min
maximum size of particles in medium	0.5 mm
maximum temperature of medium	85°C
Nominal pressure	PN10
Process connection	G 3/4" external thread and union nuts
Pressure loss in bar	$\Delta p = 0.00145 \times Q^2$ (Q in l/min) approx. 0.6 bar at 20 l / min approx. 2.3 bar at 40 l / min
Protection system	IP 54
Output signal	
Pulse rate / K factor	855 pulses / liter
Resolution	1.2 ml / pulse
Signal form	rectangular signal, NPN, open collector
Measuring transducer	Hall sensor
Supply voltage	4,5 ... 24 V DC (from ALMEMO® device)
Electrical connection	4-pin connector M12x1 including PVC line (T <sub>max</sub> =70 °C) with ALMEMO® connector

### Materials

pipe section	
FV A915 VTH M	brass
FV A915 VTH K	plastic PPO Noryl GFN3
Flat gasket	NBR
Turbine cage	PEI ULTEM
Rotating vane	PEI ULTEM
Rotor complements	hard ferrite magnets
Axle / bearing	axle Arcap AP1D with hard metal pins in saphire bearings
Bearing support	Arcap AP1D
Sensor	PPO Noryl GFN3
O-ring	NBR
Knurled swivel nut*	PA GF 30

\* not coming into contact with the medium

## Axial turbine flowmeter for liquids Type FVA915VTH25



- ▶ For measuring the volume flow rate or for dosing tasks with large flow rates
- ▶ Compact design
- ▶ Wide useful operating range
- ▶ Wide variety of applications :  
cooling water flow, medical technology, plastics industry, solar systems, baker's equipment, machine tools, catering equipment, photographic laboratory equipment, dispensers, dosing equipment, cooling equipment, heating applications, calorimetry

### Types:

incl. connecting cable, 6 m long, with ALMEMO® connector  
Turbine body made of brass      **Order no. FVA915VTH25M**

### Technical Data:

Nominal diameter	DN 25
Measuring range	4 to 160 l/min
Continuous load	max. 80 l/min
Measuring accuracy	±3% of measured value
Reproducibility :	±0.5%
Signal output	from < 1 l/min
maximum size of particles in medium	0.5 mm
maximum temperature of medium	85°C
Nominal pressure	PN10
Process connection FVA915VTH25M	G 1 1/4" external thread including adapter for G 1" (absolutely necessary)
Pressure loss	approx. 0.1 bar at 80 l / min approx. 0.45 bar at 160 l / min
Protection system	IP 54
Output signal	
Pulse rate / K factor	67 pulses / liter
Resolution	15 ml / pulse
Signal form	NPN, open collector
Measuring transducer	Hall sensor
Supply voltage	4,5 ... 24 V DC (from ALMEMO® device)
Electrical connection	4-pin connector M12x1 including PVC line (T <sub>max</sub> = 70 °C) with ALMEMO® connector

### Materials

Pipe section	
FV A915 VTH25M	brass
Flat gasket	Centelen
Turbine cage	PA Grivory HTV4X1
Rotation vane	PP
Rotor complements	permanent magnets, Recona 28nickel-plated
Axle / bearing	special steel 1.4436 / saphire, PA
Sensor socket	POM Delin 100P
O-ring	72 NBR 872

