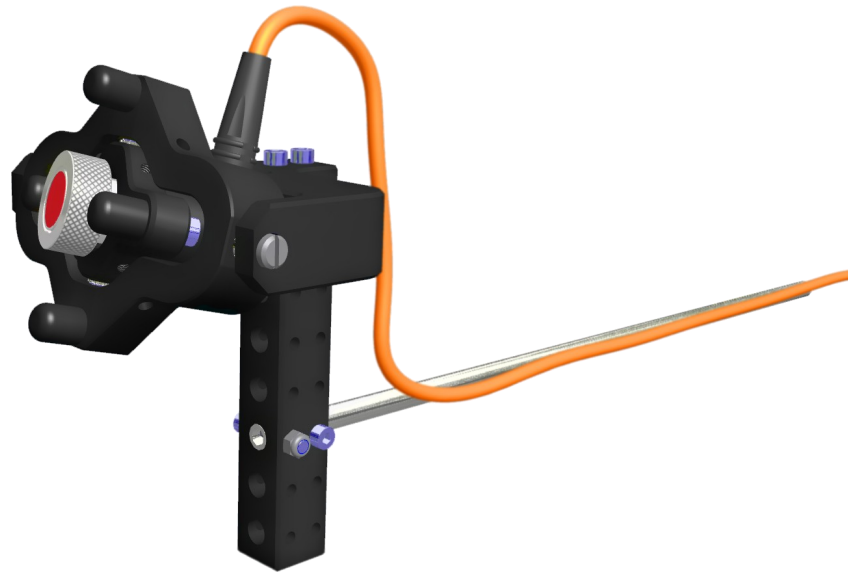


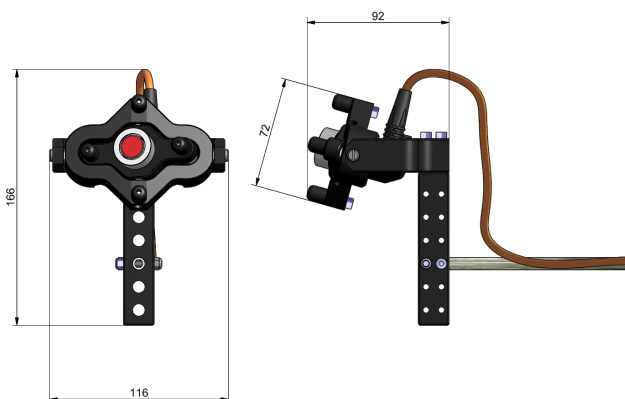
# Cygnus G1

## Observation, Inspection, Light work Class ROV Probe Handler



The Cygnus G1 Probe Handler is designed for use on Observation, Inspection and Light-work class ROVs. Constructed from acetal it is both strong and lightweight, it features an adjustable mounting bracket allowing optimum positioning of the UT probe. The UT probe is located in an articulated mount that allows up to 15 degrees of movement in both planes allowing automatic alignment of the probe face to the measurement surface making the ROV pilot's job easier.

### Dimensions



### Probe Options



**Nosecone**  
for  
MiniROV

**MCIL2M**  
for  
M5-ROV-2K  
M5-ROV-4K

#### Part Numbers for Probes

**001-8354** 2.25 MHz Nosecone

**001-8355** 2.25 MHz MCIL2M

### Specifications

<b>Size</b>	92 x 116 x 166mm (3.6 x 4.6 x 6.5")
<b>Weight in Air</b>	0.3 Kg (0.66 lbs)
<b>Depth Rating</b>	2000 msw
<b>Material</b>	Acetal with 316 Stainless Steel Fixings
<b>Probe Types</b>	2.25 MHz 13mm with Membrane (3.5 MHz & 5MHz at special request)
<b>Probe Cable</b>	0.95 m Double Jacket Coaxial (other lengths at special request)
<b>Warranty</b>	3 Years
<b>Warranty (Probe)</b>	6 Months
<b>Part Number</b>	<b>001-8351</b> G1 Probe Handler

### Ordering Information

When ordering the G1 Probe Handler you must order the appropriate Probe separately.

*Example. 001-8351 + 001-8355 =  
G1 Probe Holder and Probe with MCIL2M Connection*