

**GP 500 - 1**  
**GP 500 - 2**

High accuracy 

 Leak test

Automatic Autozero 

 Modifiable table

Generation of pressure 

 Transportable standard

**NEW**

THE PRESSURE GENERATOR ALLOWS TO ADJUST AND CALIBRATE MEASUREMENT INSTRUMENTS IN LABORATORY OR ON-SITE.

**DESIGNED FOR PROFESSIONALS OF METROLOGY**

The GP 500 instrument has 2 versions :

GP500 - 1 .....from -2500 to +2500 Pa

GP500 - 2 .....from -10 000 to 10 000 Pa

Specific connectors

20 programs with adjustable generations

Larged backlighted display

Solid transport case

Configuration software

Aluminium housing with adjustable carrying handle

**COMPLIES WITH EN 61010-1**



# FEATURES

## MAIN TECHNICAL FEATURES

Display	Backlighted graphical LCD Size : 85 x 51 mm Resolution : 240 x 180 pixels
Measuring ports connection	Ribbed connectors Ø 4x7 mm tubes
Generation ports connection	Quick-coupling connectors DN2.7
Power supply	230 Vac ±10% / 50-60 Hz or on battery
Consumption	19 W
Battery life	8 hours
PC interface	USB
Operating temperature	From 0 to + 50° C
Storage temperature	From -10 to + 70° C
Environment	Air, non-aggressive gases, non-corrosive gases
Languages	French, English
Weight	4.5 kg
Conformity	EMC 2004/108/CE and EN 61010-1 directives
Fuse on the phase and on the neutral	Time delay 1 A 250 V

Instrument to connect to earth protection



## TECHNICAL FEATURES IN PRESSURE MEASUREMENT AND PRESSURE GENERATION

### GP 500 - 1

Measuring range	From -2500 to +2500 Pa
Accuracy* in measurement	±(0.15%  Reading value  +0.8) Pa
Generation Range	From -5 to -2500 Pa and from +5 to +2500 Pa
Accuracy* in generation	From ±5 to ±2500 Pa : ±1 Pa
Resolution	From -2500 to -1000 Pa : 1 Pa From -1000 to -100 Pa : 0.1 Pa From -100 to +100 Pa : 0.01 Pa From +100 to +1000 Pa : 0.1 Pa From +1000 to 2500 Pa : 1 Pa
Autozero	Automatic Manual (via keypad)
Units	Pa, daPa, hPa, mmH <sub>2</sub> O, mmHg, mbar, inWg

### GP 500 - 2

Measuring range	From -10 000 to +10 000 Pa
Accuracy* in measurement	±(0.15%  Reading value  +6 Pa) Pa
Generation range	From -10 000 to -50 Pa and from +50 to +10 000 Pa
Accuracy* in generation	From -10 000 to -50 Pa : ±10 Pa From +50 to +1000 Pa : 1 Pa From +1000 to +10 000 Pa : 10 Pa
Resolution	From -10 000 to -1000 Pa : 1 Pa From -1000 to -100 Pa : 0.1 Pa From -100 to +100 Pa : 0.01 Pa From +100 to +1000 Pa : 0.1 Pa From +1000 to +10 000 Pa : 1 Pa
Autozero	Automatic Manual (keypad)
Units	Pa, daPa, hPa, mmH <sub>2</sub> O, mmHg, mbar, inWg

# 2 operating

## modes

- MEASUREMENT

- GENERATION

### GP 500 INSTRUMENT IS

#### SUPPLIED WITH :

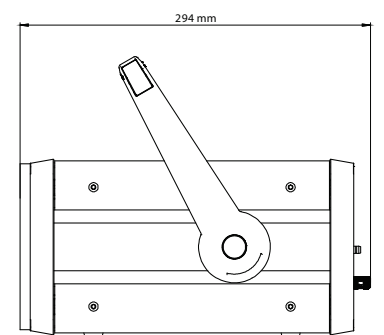
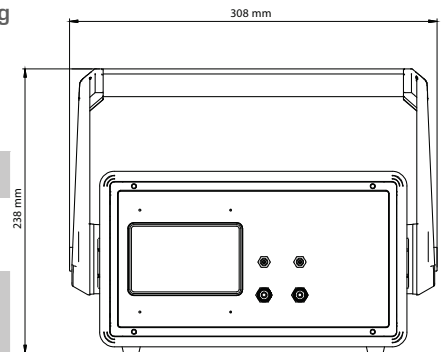
- 2 x 1 m of silicone tube
- A power supply cable
- 1 USB cable
- Configuration software
- 2 quick-coupling DN 2.7
- Calibration certificate
- User manual

### MAINTENANCE

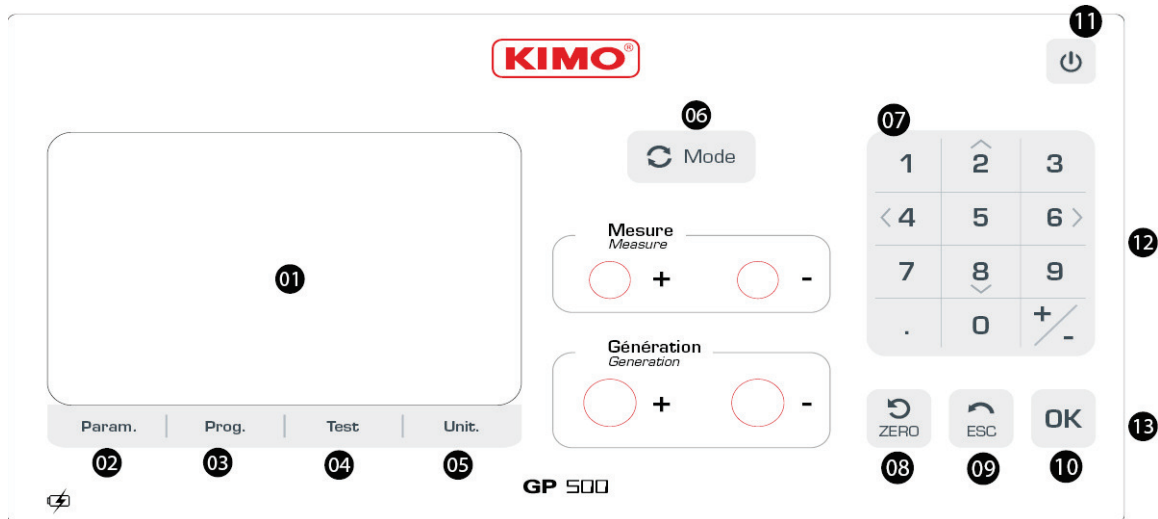
We carry out calibration, adjustment and maintenance of your devices to guarantee a constant level of quality of your measurements. As part of Quality Assurance Standards, we recommend you to carry a yearly checking.

### WARRANTY

Instruments have 1-year guarantee for any manufacturing defect (return to our After-Sales Service required for appraisal).



# USER INTERFACE



- 01. Screen
- 02. Param. : configuration of the instrument
- 03. Prog. : configuration of pressure generation programs
- 04. Test : leak test
- 05. Unit. : units modification
- 06. Mode : mode selection : "Measure" or "Generation"
- 07. 12 keys keypad with navigation arrows
- 08. Zero : manual autozero
- 09. Esc : back
- 10. OK : validation of the selection
- 11. On/Off key
- 12. Power supply on the right side
- 13. USB port type B on the right side

## RAPIDITY AND STABILITY

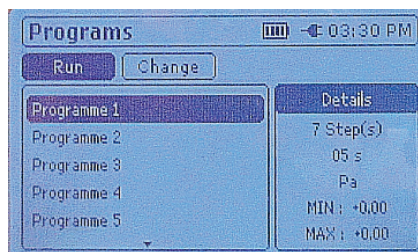
### MEASUREMENT

The GP 500 is the ideal instrument for the measurement of a dynamic pressure.

### GENERATION

The pressure setpoints rapidly reached thanks to the enslavement of the pneumatic system are of a proven stability.

The GP500 also offers to configure programs allowing to automate the pressure generation. This easy-to-use function allows to save a precious time for serial controls.



The Program function allows to define the number and the duration of the different stages to reach. It is possible to save up to 20 different programs with 20 setpoints values (stages) by programm.

## AIR-TIGHTNESS TEST

### AIR-TIGHTNESS

The air-tightness test allows to test the integrity of an airflow network. With its configurable parameters, the air-tightness test gives clear and fast results of the situation, on-site or in laboratory.

[www.kimo.fr](http://www.kimo.fr)

Distributed by :



**EXPORT DEPARTMENT**

Tel : + 33. 1. 60. 06. 69. 25 - Fax : + 33. 1. 60. 06. 69. 29

**e-mail** : [export@kimo.fr](mailto:export@kimo.fr)